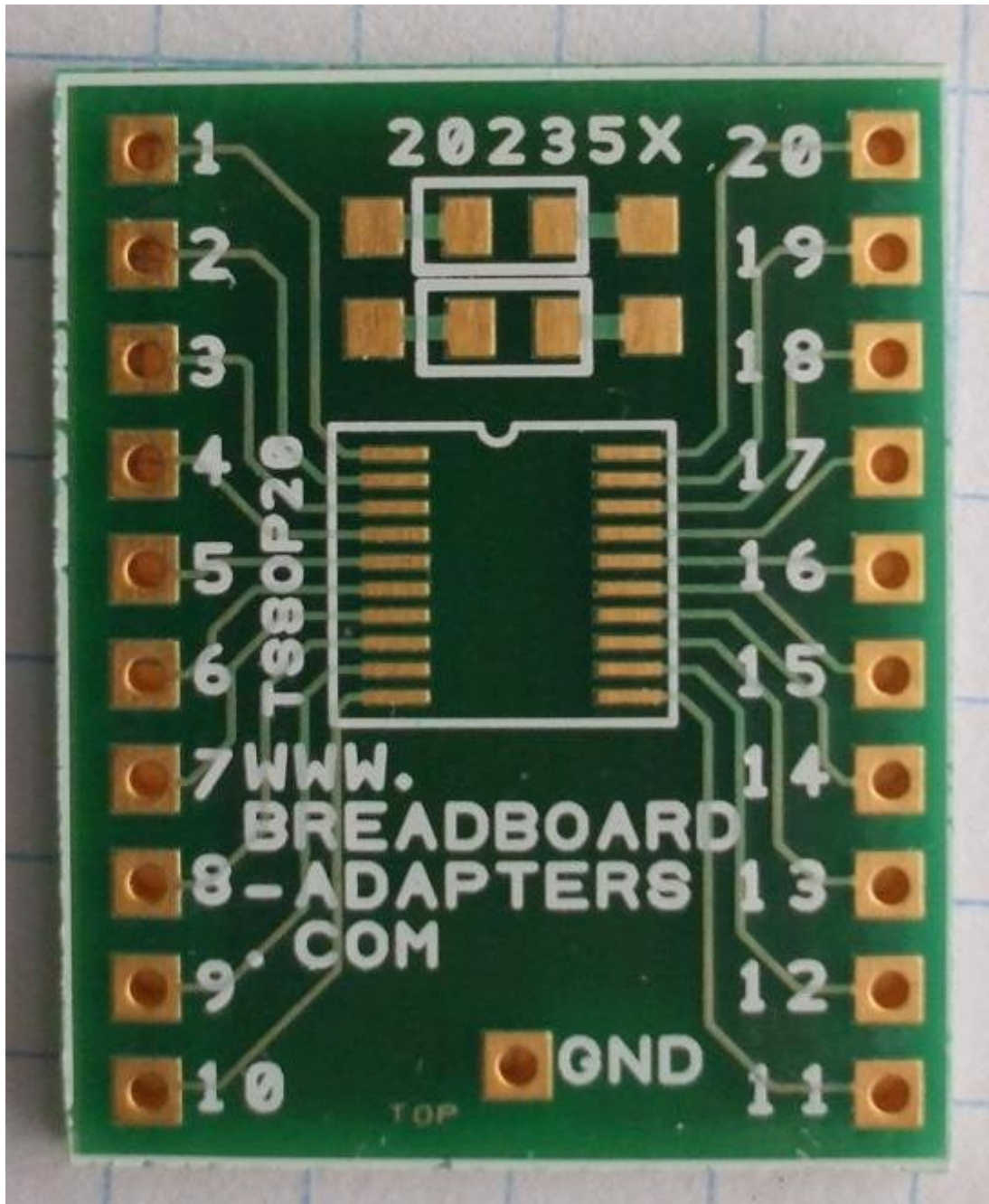
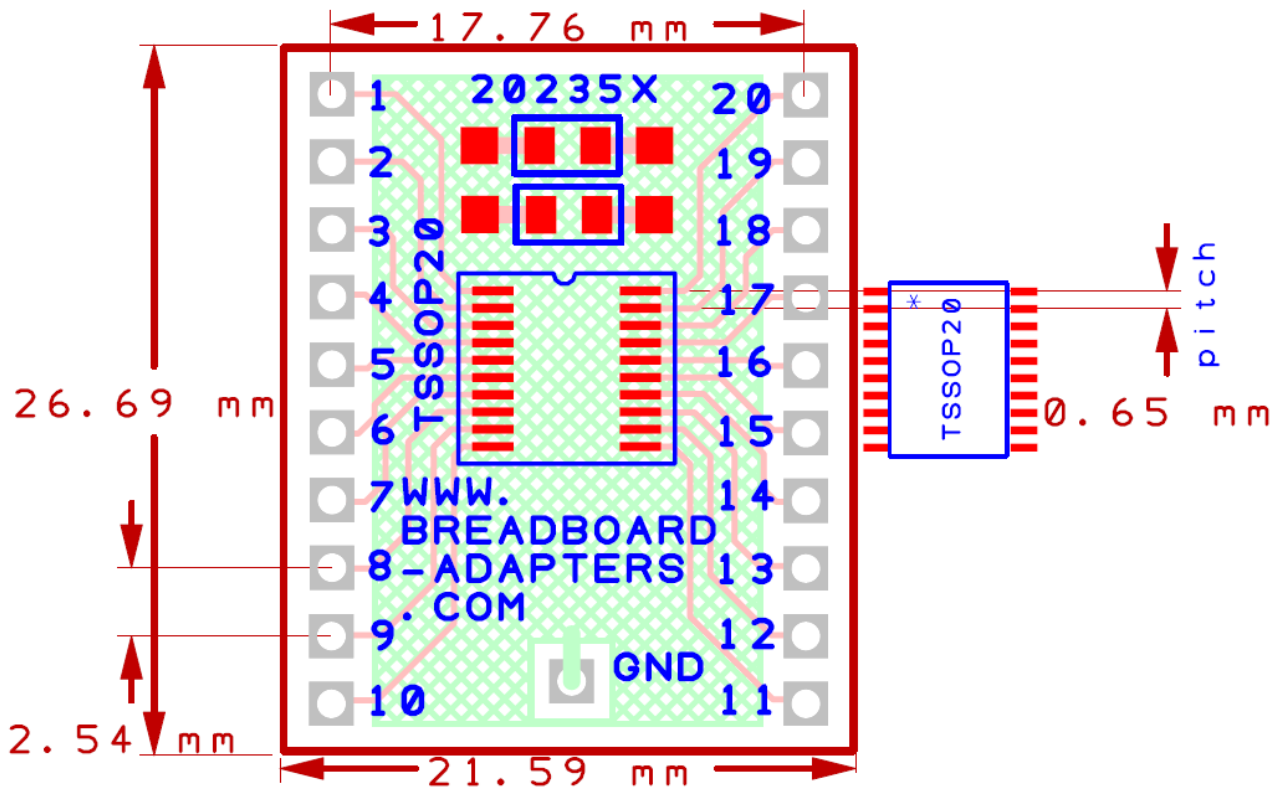


TSSOP20 breadboard adapter

Breadboard adapter for TSSOP20 devices:

PCB dimensions: 21,6 x 26,7 x 1,5 mm





Our reference: 20235X

Product description: Breadboard adapter for TSSOP20 devices.

Accept row connectors with 2,54 mm pitch, and is breadboard compatible. Accept 2 units 0805 devices (decoupling capacitors as example)

Technology: Plated through FR4 pcb, with solder mask to avoid shorts between pads when hand soldered, as shown in photo. All holes are plated through.

The surface of pads in this adapter, is chemical gold plated.

Ground connection: connected to the bottom layer.(green in the upper drawing)

PCB contour: The pcb contour is milled.

Hand soldering: should be used a liquid flux, for best soldering to the gold surface.

Handling: is important that before soldering, to avoid fingerprints over the gold plated surface of the pads.

Links for TSSOP20 package:

http://www.nxp.com/documents/reflow_soldering/SSOP-TSSOP-VSO-REFLOW.pdf

http://pdfserv.maxim-ic.com/package_dwgs/21-0066.PDF

http://cds.linear.com/docs/Packaging/TSSOP_20_05-08-1650.pdf

<http://www.fairchildsemi.com/dwg/MT/MTC20.pdf>

Please visit our site for updates and new types:

<http://www.breadboard-adapters.com/>

To any questions or feedback please email:

sales@breadboard-adapters.com