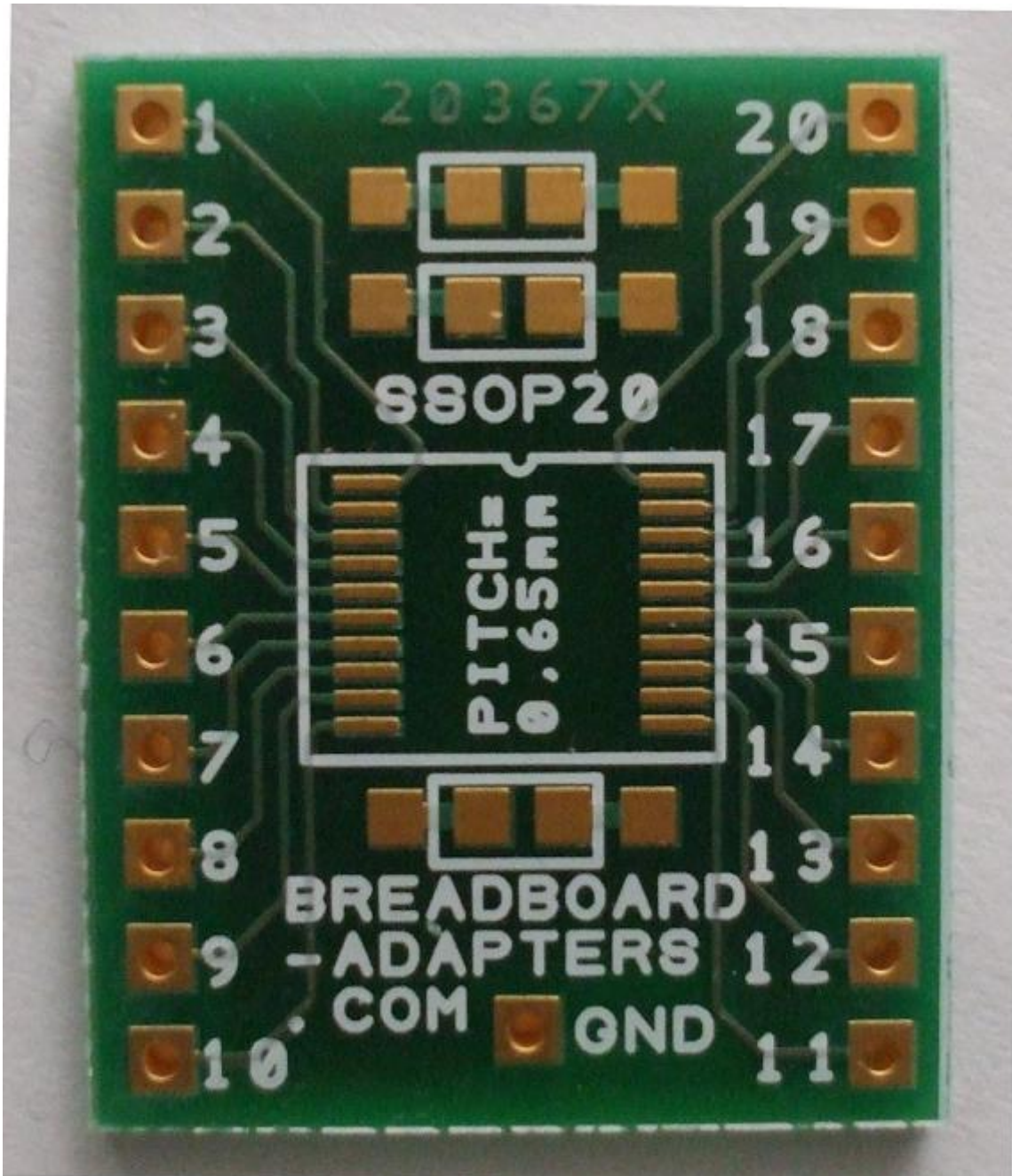
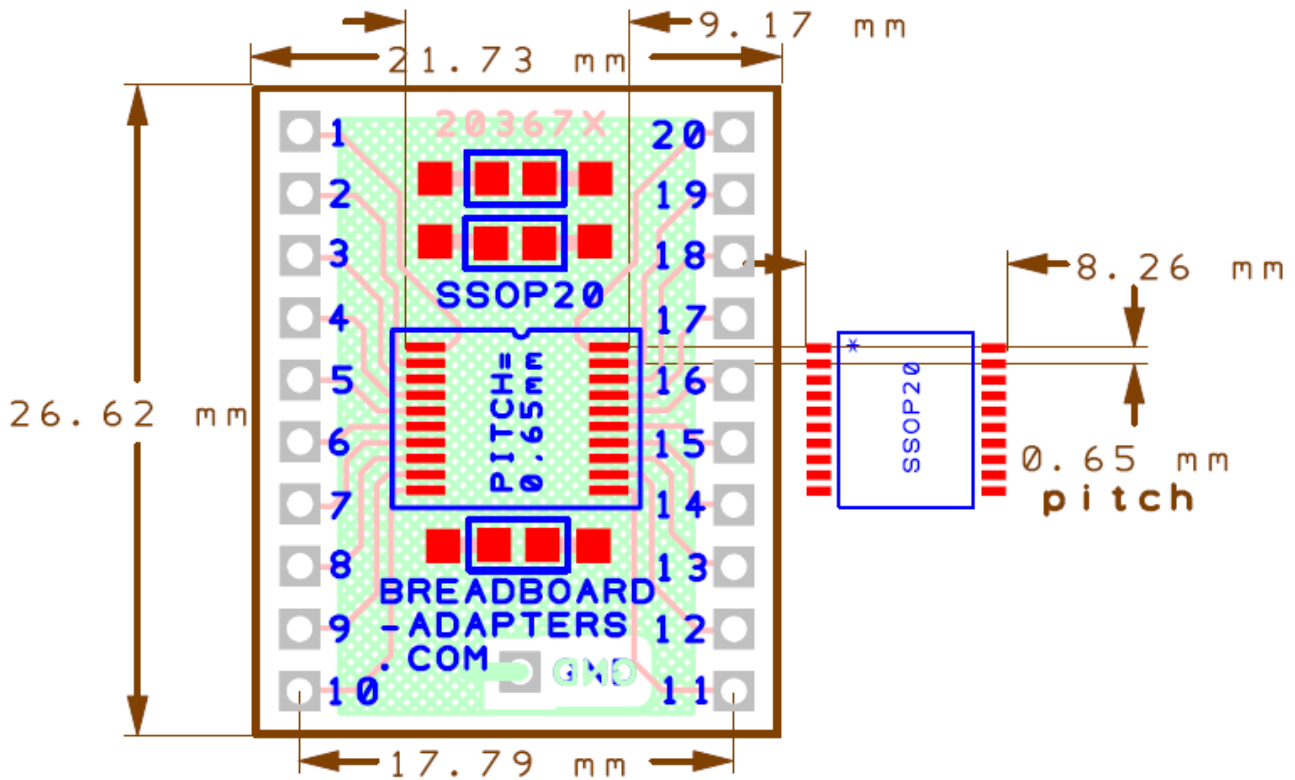


SSOP20 ADAPTER

Breadboard adapter for SSOP 20 pin devices:

PCB dimensions: 21,7 x 26,6 x 1,5 mm





Our reference: 20367X

Product description: Breadboard adapter for SSOP20 devices.
Accept row connectors with 2,54 mm pitch, breadboard compatible.

Technology: Plated through FR4 pcb, with solder mask to avoid shorts between pads when hand soldered, as shown in photo. All holes are plated through.
The surface of pads in this adapter, is chemical gold plated.

PCB contour: The pcb contour is milled.

Ground connection: connected to the bottom layer.

Hand soldering: should be used a liquid flux, for best soldering to the gold surface.

Handling: is important before soldering, to avoid fingerprints over the gold plated surface of the pads.

Links for SSOP20 :

<http://www.fairchildsemi.com/dwg/MS/MSA20.pdf>
http://www.ricoh.com/LSI/product_power/pkg/ssop-20.pdf
<http://www.bcdsemi.com/upload/Package/SSOP-20%28%28for%20web%29%20091112.pdf>
<http://www.bcdsemi.com/Packaging/jcPdf2/SOIC-20.pdf>
<http://www.holtek.com/pdf/package/ssop20-150.pdf>
http://www.st.com/internet/com/TECHNICAL_RESOURCES/TECHNICAL_LITERATURE/PACKAGE_INFORMATION/C000004826.pdf

Please visit our site for updates and new types:

<http://www.breadboard-adapters.com/>

To any questions or feedback please email: sales@breadboard-adapters.com