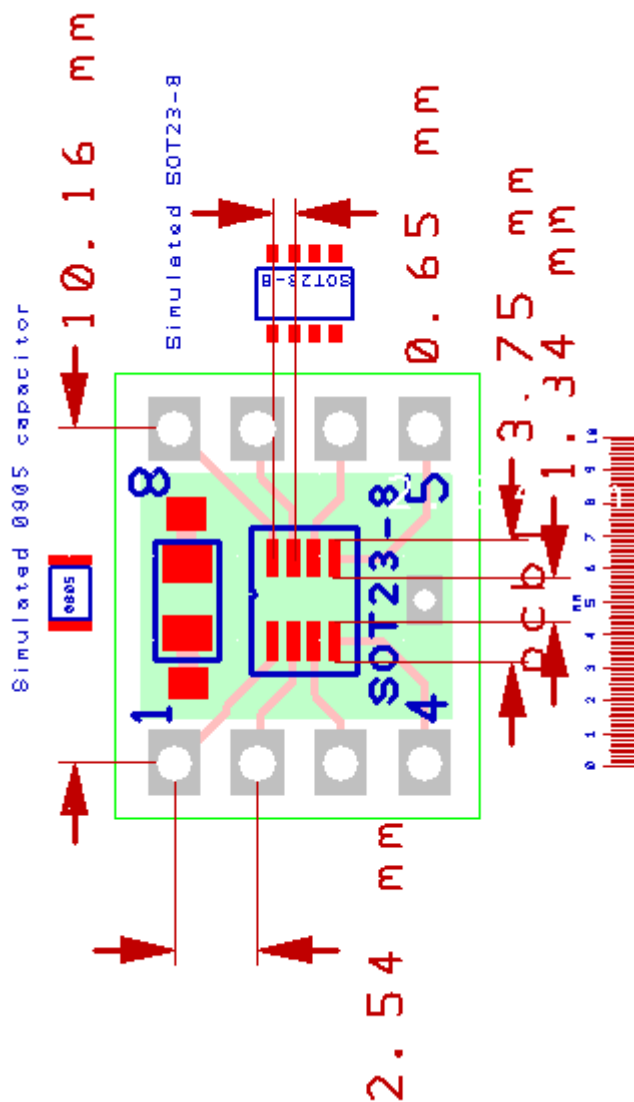


# SOT23-8 ADAPTER

## Breadboard adapter for SOT23-8 (8pin devices)



**Our reference:** 08171A

**PCB dimensions:** 12 x 14,7 x 1,5 mm

**Product description:** Breadboard adapter for SOT23-8 devices , for example for amplifiers, data conversion, power management, digital pots and others.

**Decoupling is available:** Accept one local 0805 decoupling capacitor, if necessary connected with 2 small wires.

**Ground plane:** a ground connection is available for testing.

**Heat sink:** the ground plane acts also as a small heat sink, usefull in situations of high power dissipation.

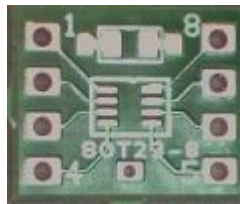
**Technology:** Plated through FR4 pcb, with solder mask to avoid shorts between pads when hand soldered. All holes are plated through.

The surface of pads in this adapter, is chemical gold plated. Use liquid flux, for easy soldering.

**PCB contour:** The pcb contour is milled with small bridges.

**Hand soldering:** should be used a liquid flux, for easy soldering the gold surface.

**Handling:** is important to avoid fingerprints over the gold plated surface of the pads, before soldering.



#### Usefull links

<http://focus.ti.com/lit/an/sbfa015a/sbfa015a.pdf>

[http://pdfserv.maxim-ic.com/land\\_patterns/90-0176.PDF](http://pdfserv.maxim-ic.com/land_patterns/90-0176.PDF)

Please visit our site for updates and new types:

<http://www.breadboard-adapters.com/>

To any questions or feedback please email:

[sales@breadboard-adapters.com](mailto:sales@breadboard-adapters.com)