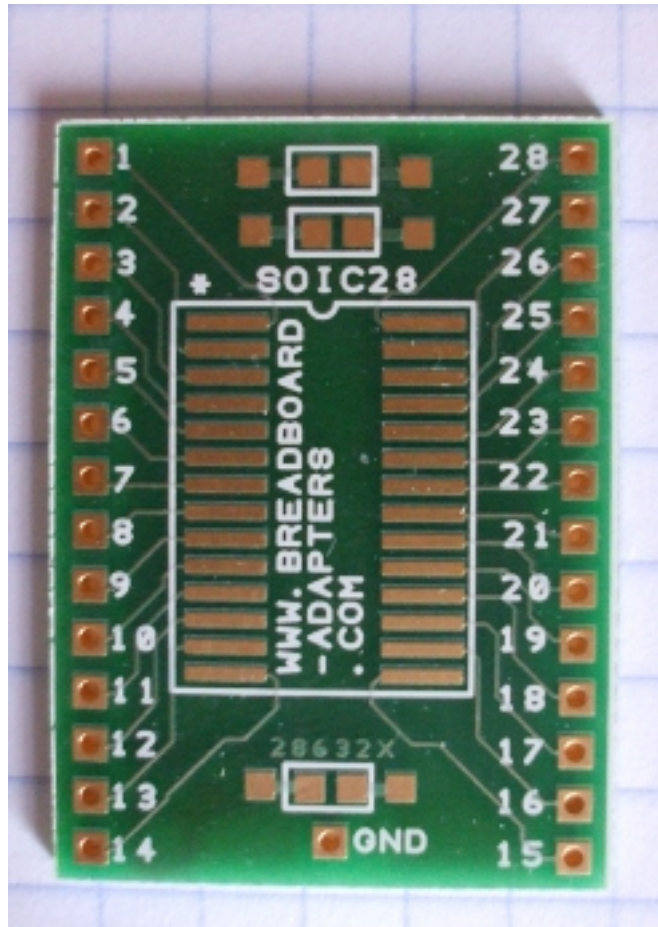


# SOIC28 ADAPTER

## Breadboard adapter for SOIC 28pin wide devices:

**PCB dimensions:** 26,6 x 36,7 x 1,5 mm



### Our reference: 28632A

**Product description:** Breadboard adapter for devices with SOIC28 package .

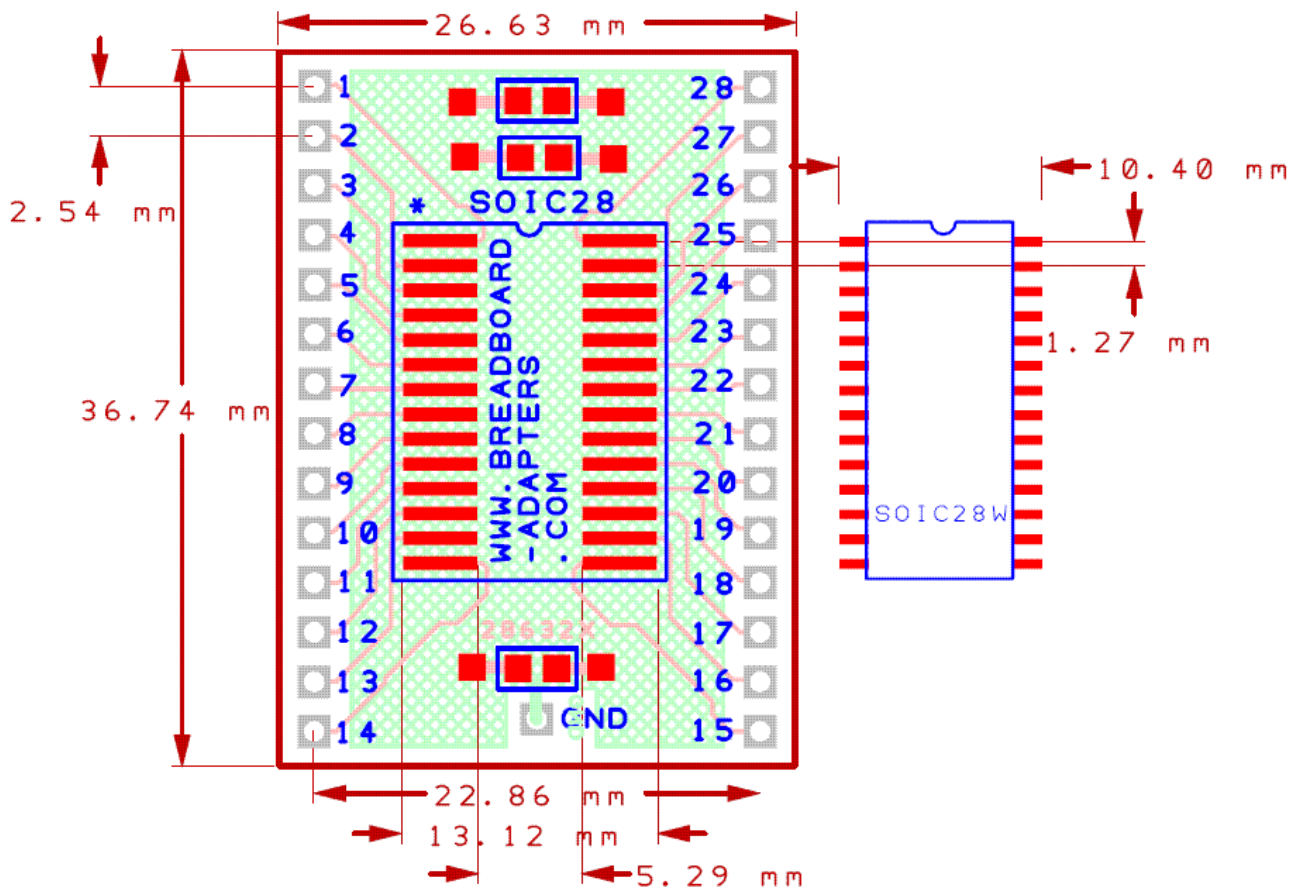
Accept row connectors with 2,54 mm pitch: is breadboard compatible. Accept 3 units of 0805 components, as decoupling capacitors, as example. Pitch ( distance between center of pads)= 1,27 mm.

**Technology:** Plated through FR4 pcb, with solder mask to avoid shorts between pads when hand soldered. All holes are plated through.

The surface of pads in this adapter, is chemical gold plated.

**Solder mask:** Solder mask is open only around pads and vias and is used to minimize the risk of building solder bridges, between pads, when the SOIC is hand soldered.

**PCB contour:** the pcb contour is clean (individually milled).



**Hand soldering:** should be used a liquid flux, for easy soldering to the gold surface.

**Handling:** is important before soldering, to avoid fingerprints over the gold plated surface of the pads.

**Links for SOIC28 package:**

- <http://www.fairchildsemi.com/dwg/M2/M28B.pdf>
- <http://www.national.com/packaging/mkt/m28b.pdf>
- [http://www.analog.com/static/imported-files/packages/35833120341221RW\\_28.pdf](http://www.analog.com/static/imported-files/packages/35833120341221RW_28.pdf)
- [http://www.microchip.com/stellent/groups/techpub\\_sg/documents/packagingspec/en012702.pdf](http://www.microchip.com/stellent/groups/techpub_sg/documents/packagingspec/en012702.pdf)

Please visit our site for updates and new types:

<http://www.breadboard-adapters.com/>

To any questions or feedback please email:

[sales@breadboard-adapters.com](mailto:sales@breadboard-adapters.com)