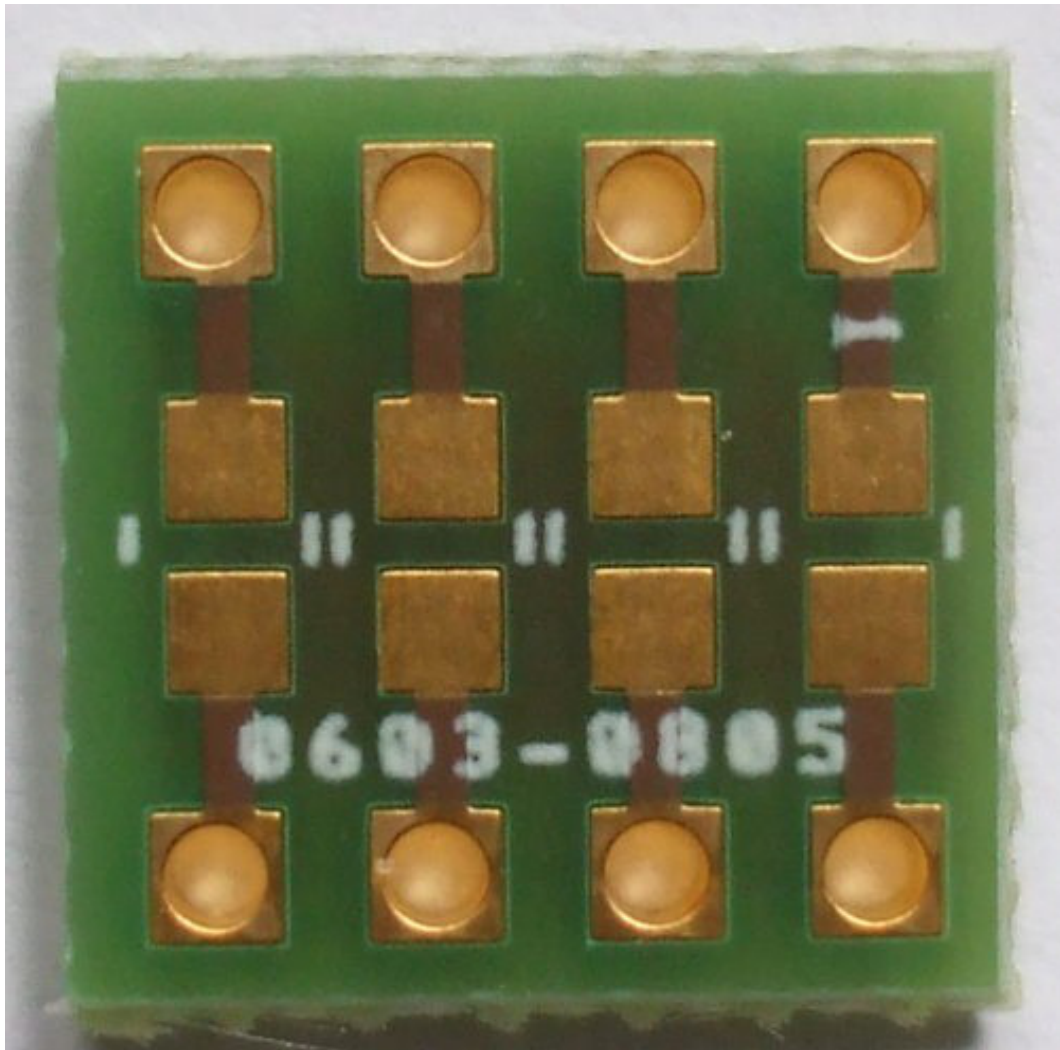


**General Purpose board adapter for SMD circuits
with 0603 / 0805 / MICROMELF / SOD323 /
SOD523 / SOD723 and SOD110 packages**



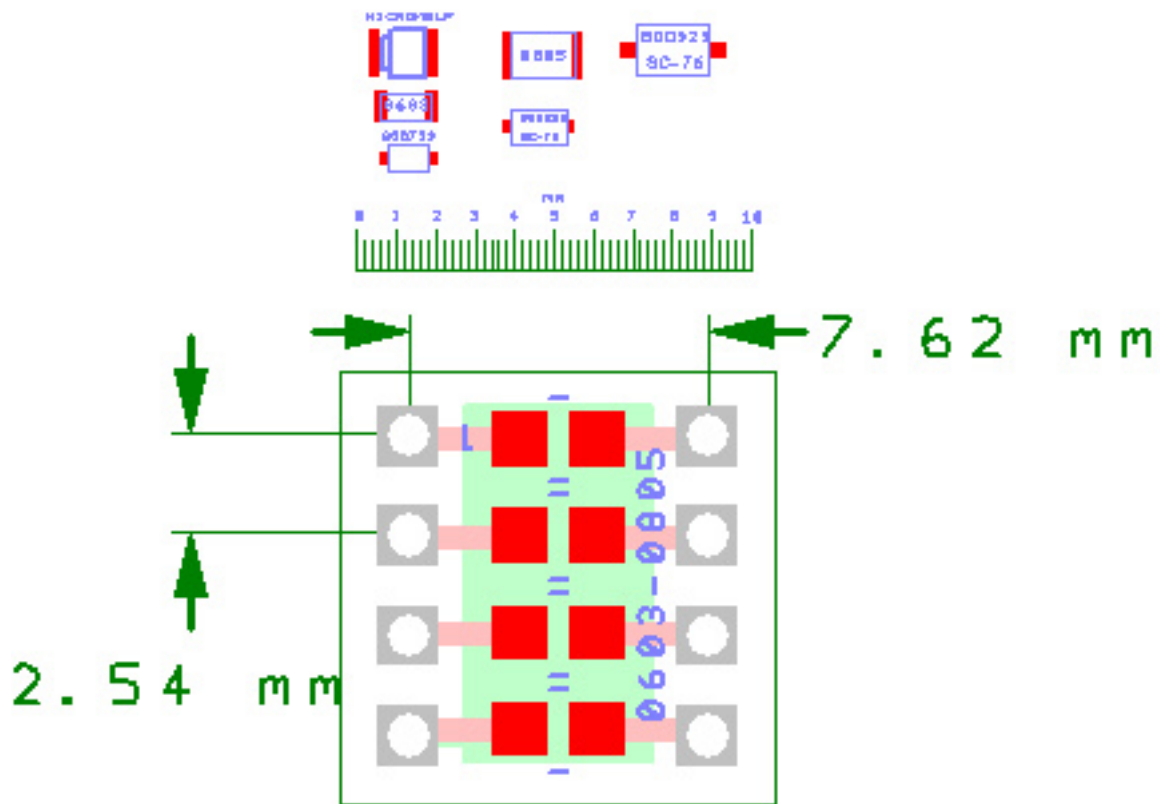
Dimensions of our adapter: 10.7 x 10.7 x 1,5 mm

Our reference: **02260B**

Application: to test small circuits with 4 smd independent devices.

Examples: small circuits with 0603 / 0805 / MICROMELF / SOD323 / SOD523 / SOD723 or SOD110 packages .

CAD view : rule, chips and adapter, all are in the same scale



Product description: Breadboard adapter for devices as resistors, capacitors, diodes and leds.

This adapter accepts row connectors with 2,54 mm pitch: is breadboard compatible.

Technology: Plated through FR4 pcb, with solder mask to avoid shorts between pads when hand soldered, as shown in photo. All holes are plated through. The surface of pads in this adapter, is chemical gold plated.

Heatsink: bottom copper layer works as a small heatsink.

PCB contour: scored if several units are supplied, is very easy to split the block in individual adapters.

Handling: is important before soldering, to avoid fingerprints over the gold plated surface of the pads.

Hand soldering: should be applied a liquid flux, for easy soldering to the gold surface.

Links about 0603:

<http://www.panasonic.com/industrial/components/pdf/AOA0000CE1.pdf>
<http://industrial.panasonic.com/www-data/pdf/AOA0000/AOA0000PE32.pdf>
http://www.prpinc.com/pdf/Chip_Pad_Layout_Sgl_Element.pdf
http://www.onsemi.com/pub_link/Collateral/AND8464-D.PDF
<http://www.murata.com/products/catalog/pdf/o05e.pdf>
<http://www.vishay.com/docs/28745/soldpads.pdf>

Basic information:

<http://www.polyonics.com/PubDocs/SMT%20Dictionary.pdf>

Links for SMD soldering:

http://www.ibselectronics.com/pdf/pa/walsin/smt_notes.pdf
http://www.4shared.com/document/Ma1BZxT7/Low_Cost_SMD_Soldering_Guide.html
http://www.4shared.com/get/oyPNr6_C/smd_soldering.html

Please visit our site for updates and new adapter types:

<http://www.breadboard-adapters.com/>

Our shop:

<http://breadboard-adapters.com/open/2pads-boards/2-pad-devices>

To any questions or feedback please email:

sales@breadboard-adapters.com

f. teixeira